

PLEASE CHECK WWW.MOLEX.COM FOR LATEST PART INFORMATION

Part Number: [0743000001](#)

Status: **Active**

Overview: [hdm](#)

Description: 2.00mm (.079") Pitch HDM® Board-to-Board Daughtercard Receptacle, Vertical, Signal Module, with Guide, 144 Circuits, Mounted Height 13.00mm (.512"), Pin Length 3.00mm (.118")

Documents:

[3D Model](#)

[Drawing \(PDF\)](#)

[Product Specification PS-73780-999 \(PDF\)](#)

[RoHS Certificate of Compliance \(PDF\)](#)

General

Product Family	Backplane Connectors
Series	74300
Application	Daughtercard, Mezzanine
Component Type	PCB Receptacle
Overview	hdm
Product Name	HDM®
Style	N/A

Physical

Circuits (Loaded)	144
Circuits (maximum)	144
Color - Resin	Black
Durability (mating cycles max)	200
First Mate / Last Break	No
Guide to Mating Part	Yes
Keying to Mating Part	None
Material - Metal	Copper-Nickel-Tin
Material - Plating Mating	Gold
Material - Plating Termination	Tin-Lead
Material - Resin	High Temperature Thermoplastic
Number of Columns	24
Number of Pairs	Open Pin Field
Number of Rows	6
Orientation	Vertical
PC Tail Length (in)	0.118 In
PC Tail Length (mm)	3.00 mm
PCB Locator	No
PCB Retention	None
PCB Thickness Recommended (in)	0.063 In
PCB Thickness Recommended (mm)	1.60 mm
Packaging Type	Tube
Pitch - Mating Interface (in)	0.079 In
Pitch - Mating Interface (mm)	2.00 mm
Plating min: Mating (µin)	30
Plating min: Mating (µm)	0.76
Plating min: Termination (µin)	100
Plating min: Termination (µm)	2.50
Polarized to PCB	No
Stackable	Yes
Surface Mount Compatible (SMC)	Yes
Temperature Range - Operating	-55°C to +105°C
Termination Interface: Style	Through Hole - Compliant Pin

Electrical

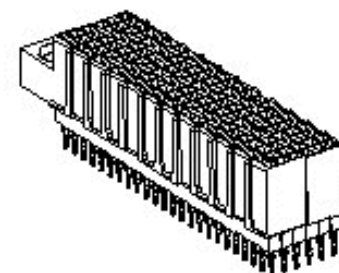


image - Reference only

Series

EU RoHS

RoHS Compliant by Exemption

REACH SVHC

Contains SVHC: No

Halogen-Free

Status

Not Reviewed

China RoHS



Pb

Need more information on product environmental compliance?

Email productcompliance@molex.com
For a multiple part number RoHS Certificate of Compliance, [click here](#)

Please visit the [Contact Us](#) section for any non-product compliance questions.

Search Parts in this Series

[74300Series](#)

Mates With

HDM® Board-to-Board Backplane Header
[73642](#) , [73643](#) , [73644](#) , [74349](#) , [74428](#) ,
[73769](#) , [73781](#) , [73770](#) , [73782](#) , [73783](#) ,
[73771](#)

Current - Maximum per Contact	1A
Data Rate	1.0 Gbps
Real Signals (per 25mm)	72
Shielded	Yes
Voltage - Maximum	250V AC

Material Info

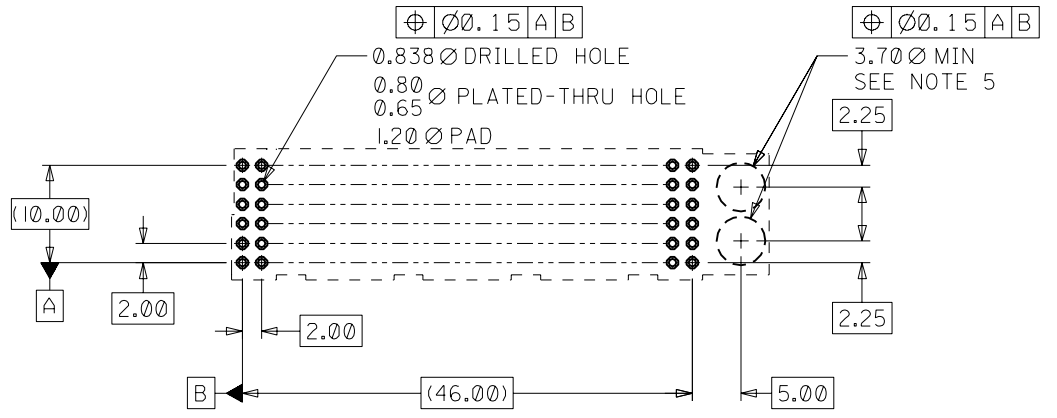
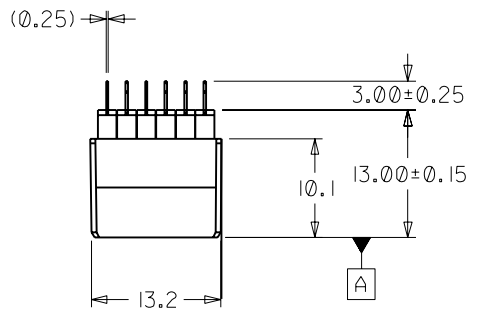
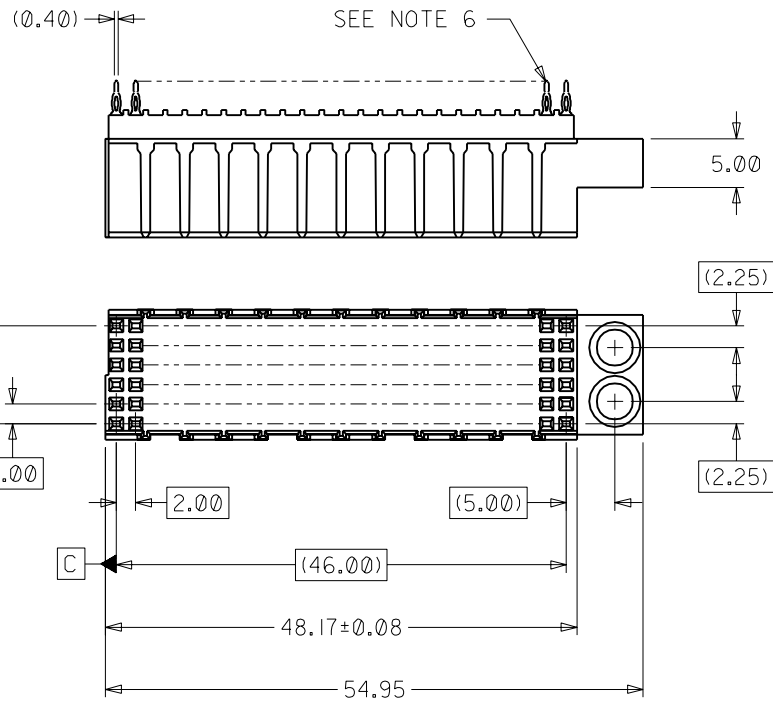
Reference - Drawing Numbers

Product Specification	PS-73780-999
Sales Drawing	SD-74300-001

HDM and High Density Metric are trademarks of Amphenol Corporation

This document was generated on 05/15/2010

PLEASE CHECK WWW.MOLEX.COM FOR LATEST PART INFORMATION



NOTES:

1. MATERIALS: HOUSING - LIQUID CRYSTAL POLYMER (LCP), GLASS-FILLED, 94V-0, COLOR: BLACK
TERMINALS - COPPER ALLOY
2. FINISH: GOLD (Au) 0.00076mm MINIMUM THICKNESS IN CONTACT AREA; SELECTIVE TIN/LEAD (Sn/Pb) 0.00038mm MINIMUM THICKNESS ON PRESS-FIT TAILS; NICKEL (Ni) OVERALL.
3. THIS PART CONFORMS TO MOLEX PRODUCT SPECIFICATION PS-73780-999.
4. PARTS TO BE PACKAGED IN TUBES PER PK-70873-0900.
5. DEPENDING ON APPLICATION, THIS HOLE MAY BE NEEDED FOR CLEARANCE OF BACKPLANE GUIDE PIN. LOCATION OF HOLE WILL DEPEND ON LOCATION OF GUIDE PIN.
6. TRUE POSITION OF PC TAILS IS INSPECTED USING GAUGE NUMBER 73727-0014.

PCB LAYOUT: COMPONENT SIDE

RELEASED FOR PROD EC NO. UDT2002-0483 DRWN: REED 01/09/20 CHK: BINGHAM 01/09/20 APPR: BIXLER 01/09/20	DESCRIPTION MAJOR $\nabla = 0$ CRITICAL $\nabla C = 0$	GENERAL TOLERANCES: (UNLESS SPECIFIED)		SCALE 2 : 1	DESIGN UNITS <input checked="" type="checkbox"/> mm <input type="checkbox"/> INCH	DIMENSIONS: <input type="checkbox"/> mm <input type="checkbox"/> INCH <input checked="" type="checkbox"/> mm ONLY	SHT REV	
		4 PLACES ±0.--- ±.---		DRAWN BY & DATE REED 01/09/20		TITLE: SALES ASSY, HDM DAUGHTERCARD STACKING MODULE, GUIDE OPTION		
		3 PLACES ±0.--- ±.---		CHECKED BY & DATE BINGHAM 01/09/20		MOLEX INCORPORATED		
		2 PLACES ±0.05 ±.---		APPROVED BY & DATE BIXLER 01/09/20		MATERIAL NO. 74300-000 DRAWING NO. SD-74300-001 SHEET NO. 1 OF 1		
1 PLACE ±0.1 ±.---		ANGULAR: ±--- °		CAD FILENAME S74300X1.DGN		THIS DRAWING CONTAINS INFORMATION THAT IS PROPRIETARY TO MOLEX INCORPORATED AND SHOULD NOT BE USED WITHOUT WRITTEN PERMISSION.		
DRAFT WHERE APPLICABLE MUST REMAIN WITHIN DIMENSIONS		SIZE B						